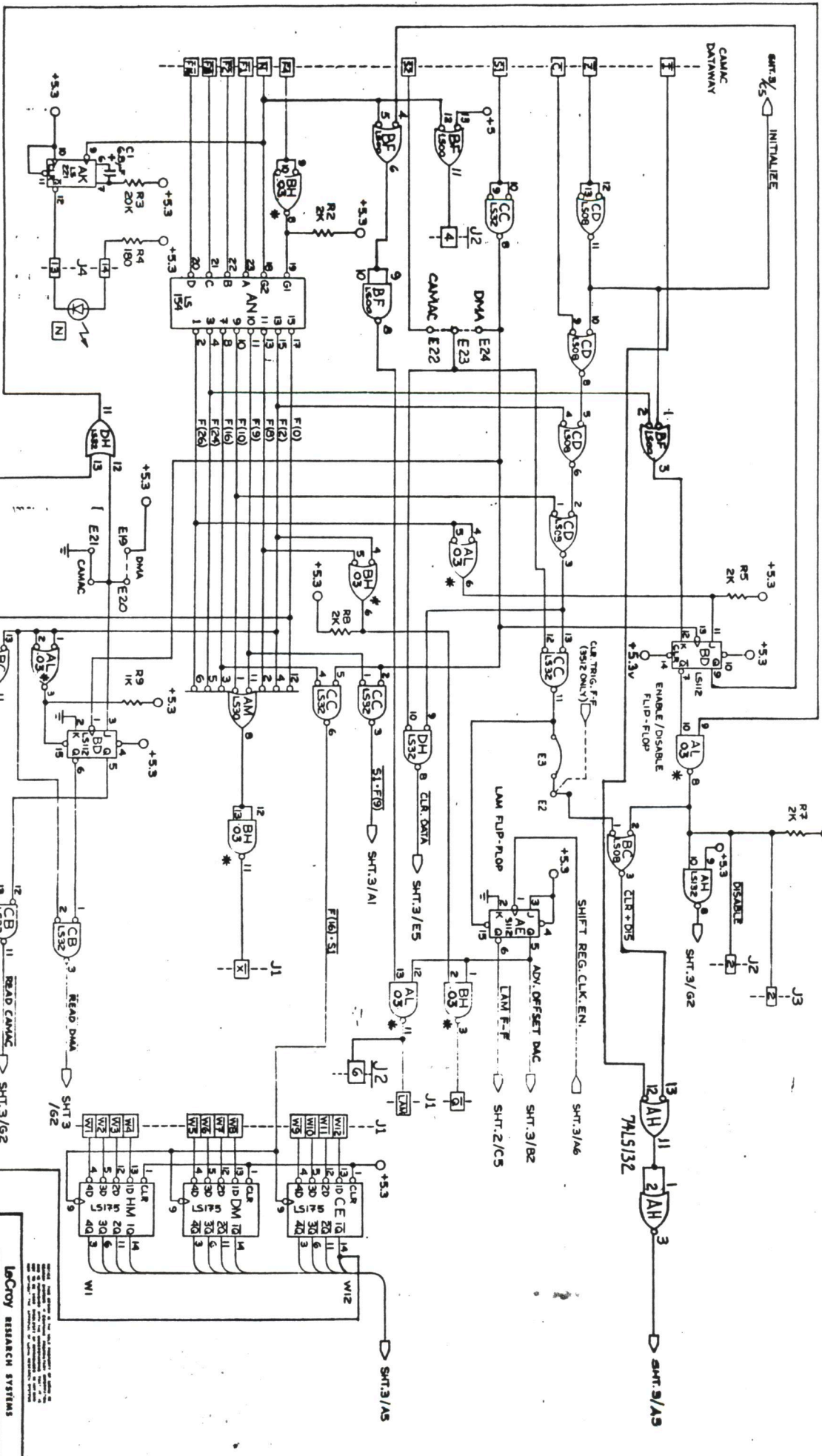


PART NUMBER	DESCRIPTION	QUANTITY PER
102245103	CAP CERA DISC 25V .01 UF	6
102335104	CAP CERA CK05 .1 UF	8
102412220	CAP CERA DISC 100V 22 PF	1
103427104	CAP CERA MONO 100V .1 UF	16
116305030	CAP DIP MICA DM5 3 PF	2
116305510	CAP DIP MICA DM5 51 PF	2
116515100	CAP DIP MICA DM10 10 PF	2
116515101	CAP DIP MICA DM10 100 PF	1
116515271	CAP DIP MICA DM10 270 PF	1
116515330	CAP DIP MICA DM10 33 PF	2
116525102	CAP DIP MICA DM15 1000 PF	1
116525511	CAP DIP MICA DM15 510 PF	2
124465430	CAP POLYSTYR "RED" 43 PF	1
142824685	CAP TANT DIP CASE 6.8 UF	26
158819001	CAP VARI CERA 3.5 - 18 PF	2
161030000	RES COMP ZERO OHMS	13
161225102	RES CARBON FILM 1 K	18
161225103	RES CARBON FILM 10 K	2
161225105	RES CARBON FILM 1 MEG	3
161225121	RES CARBON FILM 120 OHMS	1
161225133	RES CARBON FILM 13 K	1
161225153	RES CARBON FILM 15 K	3
161225154	RES CARBON FILM 150 K	1
161225181	RES CARBON FILM 180 OHMS	1
161225201	RES CARBON FILM 200 OHMS	1
161225202	RES CARBON FILM 2 K	8
161225203	RES CARBON FILM 20 K	1
161225204	RES CARBON FILM 200 K	1
161225222	RES CARBON FILM 2.2 K	1
161225272	RES CARBON FILM 2.7 K	1
161225273	RES CARBON FILM 27 K	1
161225304	RES CARBON FILM 300 K	1
161225364	RES CARBON FILM 360 K	1
161225391	RES CARBON FILM 390 OHMS	1
161225470	RES CARBON FILM 47 OHMS	1
161225471	RES CARBON FILM 470 OHMS	3
161225472	RES CARBON FILM 4.7 K	5
161225474	RES CARBON FILM 470 K	1
161225510	RES CARBON FILM 51 OHMS	1
161225511	RES CARBON FILM 510 OHMS	1
161225512	RES CARBON FILM 5.1 K	2
161225514	RES CARBON FILM 510 K	1
161225562	RES CARBON FILM 5.6 K	1
161225563	RES CARBON FILM 56 K	1
161225752	RES CARBON FILM 7.5 K	1
161335102	RES CARBON FILM 1 K	1
161335271	RES CARBON FILM 270 OHMS	1
161335391	RES CARBON FILM 390 OHMS	1
161335431	RES CARBON FILM 430 OHMS	2
161335471	RES CARBON FILM 470 OHMS	2
161335511	RES CARBON FILM 510 OHMS	1
161335512	RES CARBON FILM 5.1 K	2
161335561	RES CARBON FILM 560 OHMS	2
161335821	RES CARBON FILM 820 OHMS	2

PART NUMBER	DESCRIPTION	QUANTITY PER
168041393	RES ULTRA PREC 1 K	2
168041394	RES ULTRA PREC 1.02 K	1
168041402	RES ULTRA PREC 1.24 K	1
168531349	RES PREC RN55D 348 OHMS	1
168531365	RES PREC RN55D 511 OHMS	1
168531369	RES PREC RN55D 562 OHMS	1
168531401	RES PREC RN55D 1.21 K	2
168531457	RES PREC RN55D 4.64 K	1
180247103	RES VARI CERMET 10 K	1
180247104	RES VARI CERMET 100 K	1
180247203	RES VARI CERMET 20 K	1
180247503	RES VARI CERMET 50 K	1
181457103	RES VARI CERMET 10 K	1
181457104	RES VARI CERMET 100 K	1
181457503	RES VARI CERMET 50 K	1
182527502	RES VARI CERMET 5 K	3
182537104	RES VARI CERMET 100 K	1
200031028	IC 2-INPUT NAND SN74LS00N	1
200031029	IC D-TYP FLOP SN74S74N	1
200031033	IC 2-INPUT NAND SN7403N	2
200031049	IC D-TYP FLOP SN74LS74N	2
200031051	IC 2-INPUT NOR SN74LS02N	1
200031052	IC 8-INPUT NAND SN74LS30N	1
200031066	IC POS NAND SN74LS132N	1
200031073	IC 2-IN POS OR SN74LS32N	5
200031086	IC 2-INPUT AND SN74LS08N	3
200041008	IC J-K FLOP SN74S112N	1
200041017	IC J-K FLOP SN74LS112N	1
200041039	IC MONO/MULTIVIB N74LS221	2
200041042	IC UP/DN COUNT SN74LS191N	4
200041049	IC D-TYP FLOP SN74LS175N	3
200041071	IC FULL ADDER SN74LS283N	4
200071642	IC BUS TRANSVR SN74LS642	4
200081004	IC DECODER/DEM DM74LS154N	1
200131008	IC QUAD AND GATE SN74S08N	1
200141048	IC DECODER/DRIVR SN74LS48	1
200141195	IC SHIFT REG SN74LS195AN	4
200142162	IC A/D CONVERTER CA3162E	1
200901464	MODULE 13-BIT ADC Z50464	1
208011306	IC DIFF COMP SN72306P	1
208021340	IC VOLT REG +15 LM340AT15	1
208031009	IC VOLT COMPARATOR LM319N	1
208052002	IC HI SLEW OP AMP HA-2525	1
208122001	IC VOLT REG -15 LM320T15	1
208159001	IC OP AMP (FET) LH0032CG	1
208189001	IC 12-BIT DAC DA1200CN	1
208195001	IC OP AMP CA3140AS	1
230110005	DIODE SWITCHING 1N4448	11
230110700	DIODE SWITCHING FD700	1
235050001	DIODE RECTIFIER 1N4139	1
240225720	DIODE ZENER 18V 1N5248	2
240425746	DIODE ZENER 3.3V 1N746A	1
253010835	DIODE HOT CARRIER HP2835	2
256233209	DIODE LED RED MV5075C	1

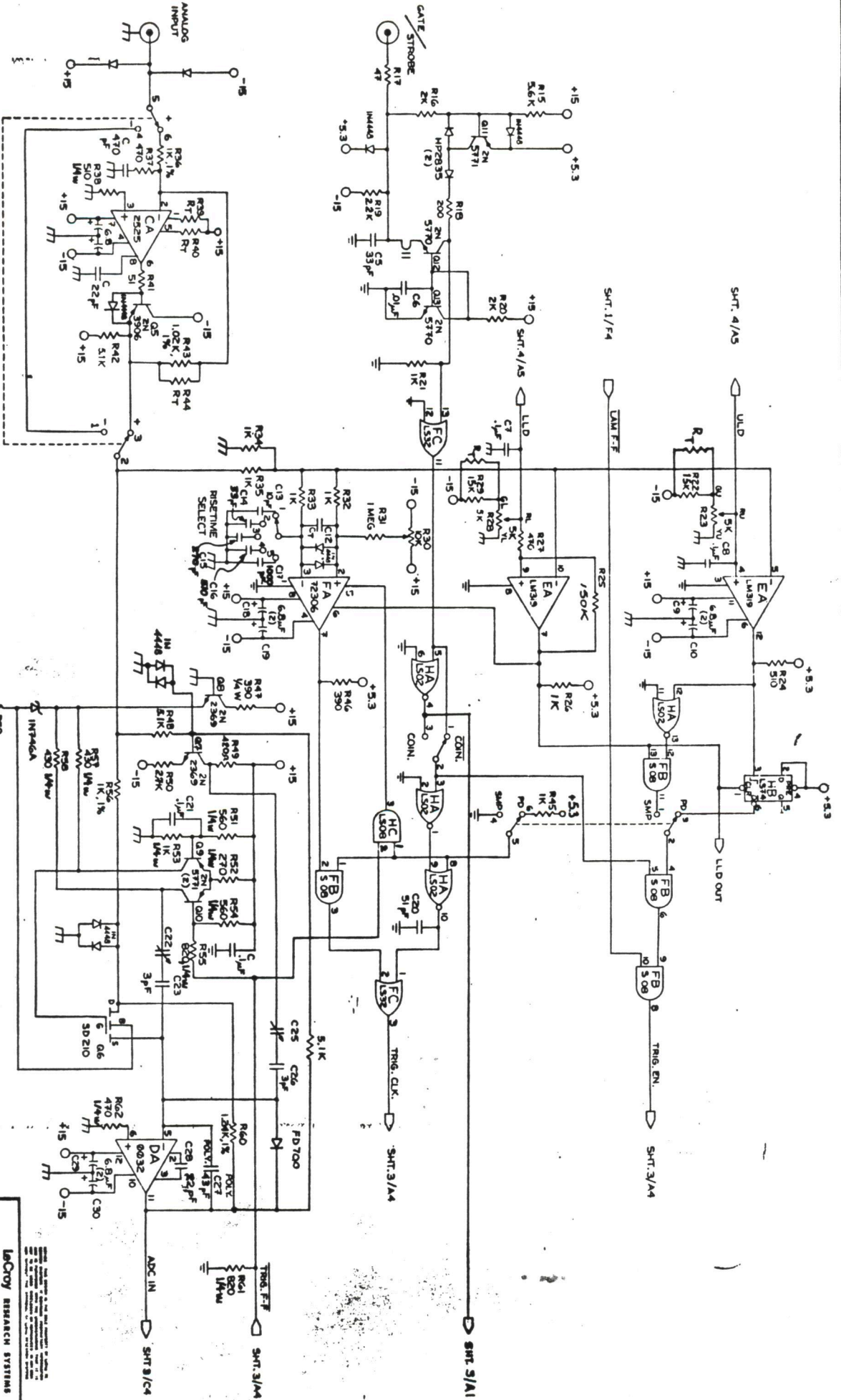
PART NUMBER	DESCRIPTION	QUANTITY PER
257243433	DISPLAY LED RED 7-SEGMENT	1
270110001	TRANSISTOR NPN PN2369A	2
270170001	TRANSISTOR NPN 2N5770	2
275170002	TRANSISTOR PNP 2N5771	4
275170906	TRANSISTOR PNP 2N3906	4
280120210	TRANSISTOR FET "N" SD210	1
300020001	BEAD SHIELDING "1/2" SIZE	1
300050001	CHOKE FERRITE SINGLE LEAD	3
385020180	INSULATING FILM KAPTON	0
400010008	SOCKET IC ST DIP-8	1
400020014	SOCKET IC ST DIP-14	19
400030016	SOCKET IC ST DIP-16	21
400040024	SOCKET IC ST DIP-24	2
400170020	SOCKET IC ST DIP-20	4
402020000	CONNECTOR CO-AXIAL BNC	2
402020001	GROUND LUG NONLOCKING BNC	2
402030060	INSULATING WASHER FOR BNC	2
402280000	CONNECTOR CO-AXIAL BNC	1
403119010	HEADER RT ANGLE 10-PIN	2
403170014	HEADER STRAIGHT 14-PIN	1
405760004	SOCKET SINGLE WIRE CLOSED	28
405764005	SOCKET SINGLE WIRE - OPEN	56
408063005	W-W PIN, ONE SIDE, 1 WRAP	74
410112100	SWITCH TOGGLE SPDT	1
410222100	SWITCH TOGGLE DPDT	2
410222700	SWITCH TOGGLE DPDT	1
411430001	SWITCH ROCKER PC MTG (4)	1
412141505	SWITCH ROTARY PC MTG 1P5T	1
433220002	FUSE PICO II 125V 3 AMP	1
433220003	FUSE PICO II 125V .5 AMP	2
454370002	SHUNT 2 POS	5
500510004	INSULATOR MICA FOR 8-PIN	1
505022000	HEAT SINK SNAP-ON TO-8	1
513050002	LENS RED VINYL .030 THICK	1
540206078	RAIL CAMAC STD TOP W/LIP	1
540206178	RAIL CAMAC STD BOT W/LIP	1
540209101	REAR PANEL CAMAC SIZE 1	1
555151000	NUT DRESS 1/4-40 THRU THD	4
555430003	CAPTIVE SCREW ASSEMBLY	1
590001018	WIRE TEFLON 19/13 BLK 18	2
591101022	WIRE BUS TIN-COPP AWG 22	2
591603030	WIRE SINGLE BLU AWG 30	1
594120001	TIEWRAP	3
599014250	EPOXY "5-MINUTE" 14250	0
703511005	SPECIAL MOD SPACER BOARD	1
713511003	PC BD PREASS'Y 3511/3512	1
713511013	PC BD PREASS'Y 3511-1	1
713511033	PC BD PREASS'Y 3511-3	1
723511012	FRONT PNL PREASS'Y 3511	1
733511004	SIDE CAMAC RIGHT 3511	1
733511013	SIDE CAMAC LEFT 3511	1

End of report. 159 Details encountered.

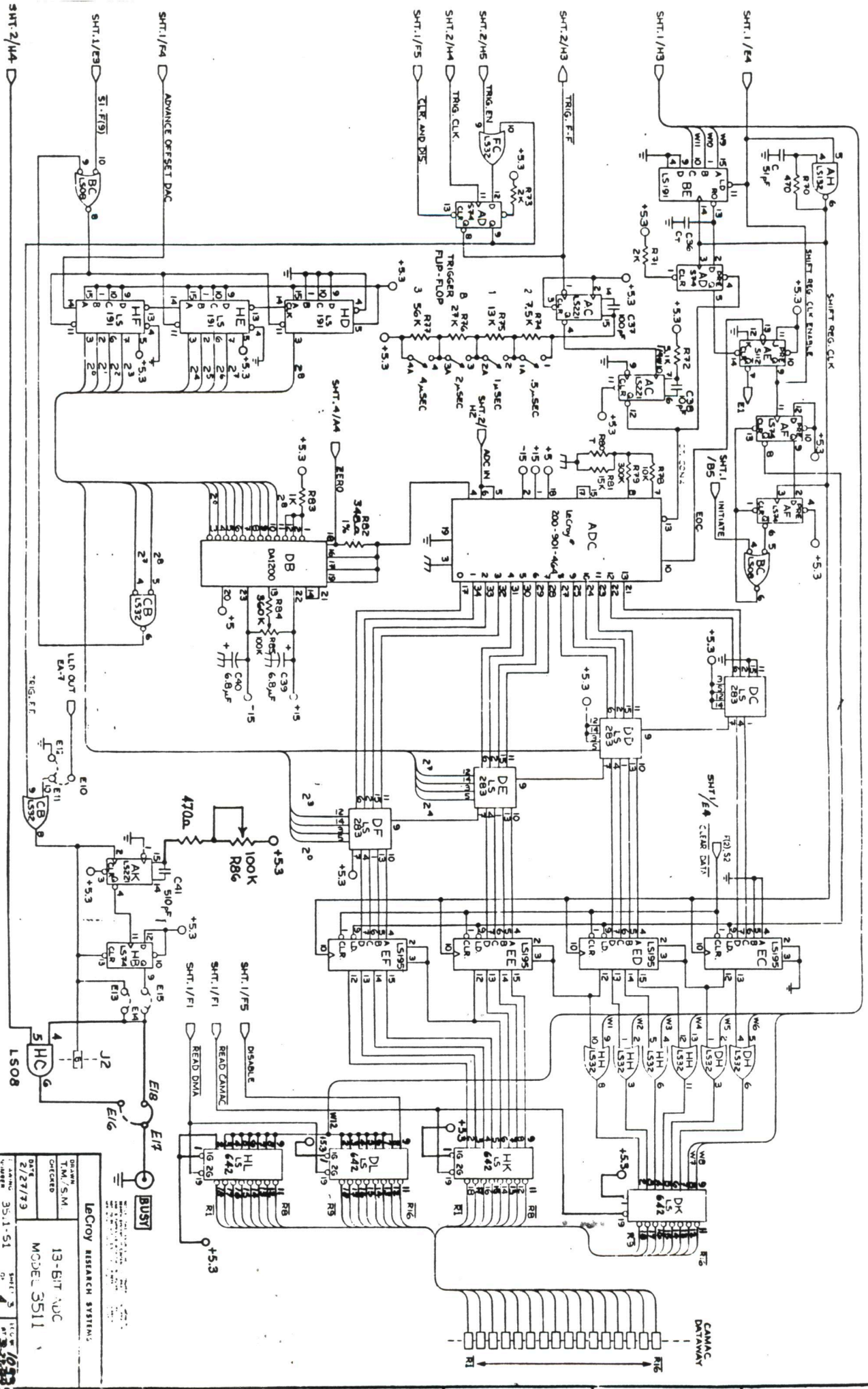


W1	1	clear	14	W1Z
W2	2	CE	10	W2Z
W3	3	DM	11	W3Z
W4	4	DM	12	W4Z
W5	5	DM	13	W5Z
W6	6	DM	14	W6Z
W7	7	DM	15	W7Z
W8	8	DM	16	W8Z
W9	9	DM	17	W9Z
W10	10	DM	18	W10Z
W11	11	DM	19	W11Z
W12	12	DM	20	W12Z
W13	13	DM	21	W13Z
W14	14	DM	22	W14Z
W15	15	DM	23	W15Z
W16	16	DM	24	W16Z
W17	17	DM	25	W17Z
W18	18	DM	26	W18Z
W19	19	DM	27	W19Z
W20	20	DM	28	W20Z
W21	21	DM	29	W21Z
W22	22	DM	30	W22Z
W23	23	DM	31	W23Z
W24	24	DM	32	W24Z
W25	25	DM	33	W25Z
W26	26	DM	34	W26Z
W27	27	DM	35	W27Z
W28	28	DM	36	W28Z
W29	29	DM	37	W29Z
W30	30	DM	38	W30Z
W31	31	DM	39	W31Z
W32	32	DM	40	W32Z

13-BIT ADC
MODEL 3514
 DATE: 2/28/79
 DRAWN: T.M./S.M.
 CHECKED: [Signature]
 LACROY RESEARCH SYSTEMS
 DRAWING NUMBER: 3511-S1
 SHEET 1 OF 4

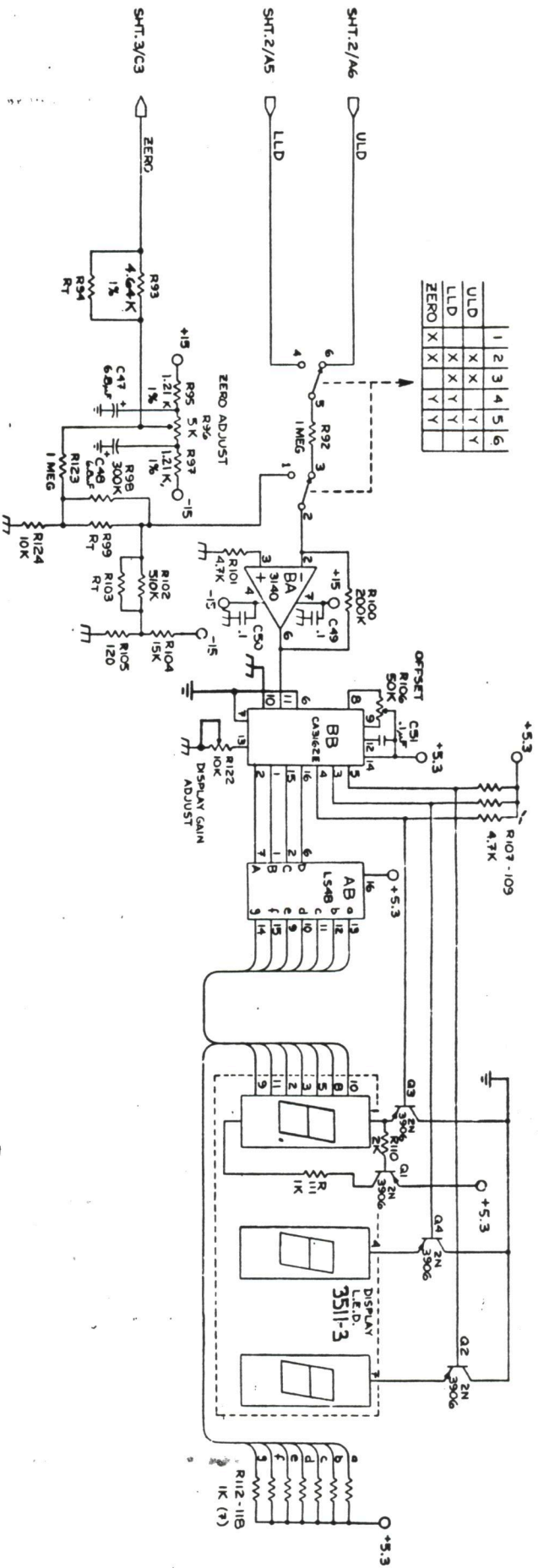


LabCity RESEARCH SYSTEMS 13-BIT ADC MODEL 3511	
DRAWN T.M./S.M. CHECKED DATE 2/23/79	SHEET 1 OF 1 3511-S1



LeCroy Research Systems
 13-BIT ADC
 MODEL 3511
 DATE: 2/27/73
 DRAWN: T.M./S.M.
 CHECKED:
 PART NUMBER: 35-1-51
 SHEET: 3 OF 4
 REV: 10/73

	1	2	3	4	5	6
ULD	X	X	X	Y	Y	
LLD	X	X	X	Y	Y	
ZERO	X	X	Y	Y		



NOTES:

- 1) ALL UNMARKED DIODES ARE IN4448B
- 2) HIGHEST REF. USED

SHT. 2	R15-62, C5-30	R63-69, C31-35	OMITTED
SHT. 3	R70-86, C36-41	R87-91, C42-46	
SHT. 4	R92-124, C47-57	R125 - , C58 -	

